

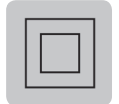


Fuente de alimentación de tensión constante.
Funciona desde 180 ~ 305VAC.
Consigue una alta eficiencia sin ventilador, hasta un 89% gracias a un diseño optimizado y es capaz de funcionar desde -25°C ~ +65°C.

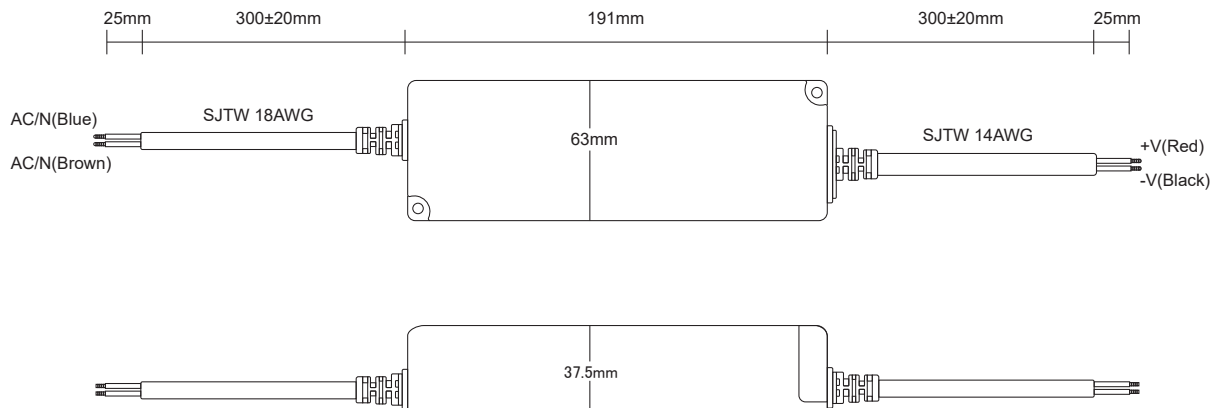
*Constant coltage power supply.
Operates from from 180 ~ 305VAC.
It achieves high efficiency without fan, up to 89% to an optimized design and is capable of operating from -25°C ~ +65°C.*

12-24V
DC

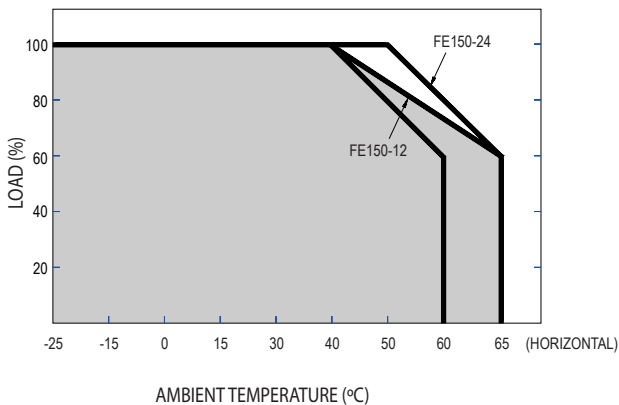
IP67



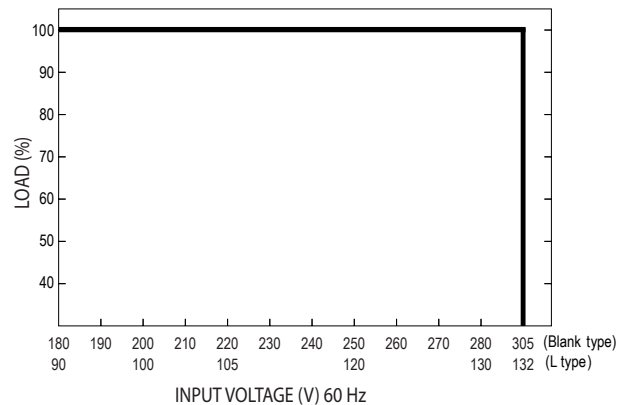
• Medidas / Dimensions



• Curva de reducción / Derating curve



• Características estáticas / Static characteristics



• Características / Characteristics

MODEL	FE150-12	FE150-24	
OUTPUT	DC VOLTAGE	12V	24V
	RATED CURRENT	10A	6.3A
	CURRENT RANGE	0 ~ 10A	0 ~ 6.3A
	RATED POWER	120W	151.2W
	RIPPLE & NOISE (max.) (2)	200mVp-p	
	VOLTAGE TOLERANCE (3)	±5.0%	
	LINE REGULATION	±1.0%	
	LOAD REGULATION	±2.0%	
	SETUP, RISE TIME (6)	500ms, 50ms / 230VAC	500ms, 50ms / 277VAC
	HOLD UP TIME	18ms / 230VAC	20ms / 115VAC at full load
INPUT	VOLTAGE RANGE (4)	180 ~ 305VAC	254 ~ 431VDC
	FREQUENCY RANGE	47 ~ 63Hz	
	EFFICIENCY	87%	89%
	AC CURRENT	1.7A / 230 VAC	1.5A / 277VAC
	INRUSH CURRENT	COLD START 60A (twidth=900µs measured at 50% Ipeak) at 230VAC	
	MAX. No. of PSUs on 16A CIRCUIT BREAKER	2 units (circuit breaker of type B) / 3 units (circuit breaker of type C) at 230VAC	
	LEAKAGE CURRENT	0.25mA / 240VCA	
PROTECTION	OVERLOAD	110 ~ 150% rated output power Protection type: Hiccup mode, recovers automatically after fault condition is removed	
	OVER VOLTAGE	13.5 ~ 18V	27 ~ 35V
	OVER TEMPERATURE	Shut down o/p voltage, recovers automatically after temperature goes down	
ENVIRONMENT	WORKING TEMP.	-25 ~ +65°C	
	WORKING HUMIDITY	20 ~ 90% RH non-condensing	
	STORAGE TEMP., HUMIDITY	-40 ~ +80°C, 10 ~ 95% RH	
	TEMP. COEFFICIENT	± 0.03%/°C (0 ~ 40°C for FE150-12; 0 ~ 50°C for FE150-24)	
SAFETY & EMC	VIBRATION	10 ~ 500Hz, 2G 10min./1cycle, period for 60min. each along X, Y, Z axes	
	SAFETY STANDARDS	UL8750, CSA C22.2 No.250.13-12, UL879, CSA C22.2 No.207-M89, BIS IS15885, EAC TP TC 004, IP67 approved. Design refer to EN60950-1	
	WITHSTAND VOLTAGE	I/P-O/P: 3KVAC	
	ISOLATION RESISTANCE	I/P-O/P: 100M Ohms / 500VDC / 25°C / 70% RH	
	EMC EMISSION	Compliance to EN55032 (CISPR32) Class B, EN61000-3-2 Class A(≤80% load), EN61000-3-3, EAC TP TC 020	
OTHERS	EMC IMMUNITY	Compliance to EN61000-4-2,3,4,5,6,8,11; EN55024, light industry level, criteria A, EAC TP TC 020	
	MTBF	703Khrs min. MIL-HDBK-217F (25°C)	
	DIMENSION	191*63*37.5mm (L*W*H)	
NOTE	PACKING	0.74Kg; 20pcs/15.8Kg/0.95CUFT	

- All parameters NOT specially mentioned are measured at 230VAC input, rated load and 25°C of ambient temperature.
- Ripple & noise are measured at 20MHz of bandwidth by using a 12" twisted pair-wire terminated with a 0.1µf & 47µf parallel capacitor.
- Tolerance: includes set up tolerance, line regulation and load regulation.
- Derating may be needed under low input voltage. Please check the static characteristics for more details.
- The power supply is considered as a component that will be operated in combination with final equipment. Since EMC performance will be affected by the complete installation, the final equipment manufacturers must re-qualify EMC Directive on the complete installation again.
- Length of set up time is measured at first cold start. Turning ON/OFF the power supply may lead to increase of the set up time.
- The unit might not be suitable for toghting applications in EU countries. Please check with your local authorities for the possible use of the unit.
- Suitable for indoor use or outdoor use without direct sunlight exposure. Please avoid immerse in the water over 30 minute.